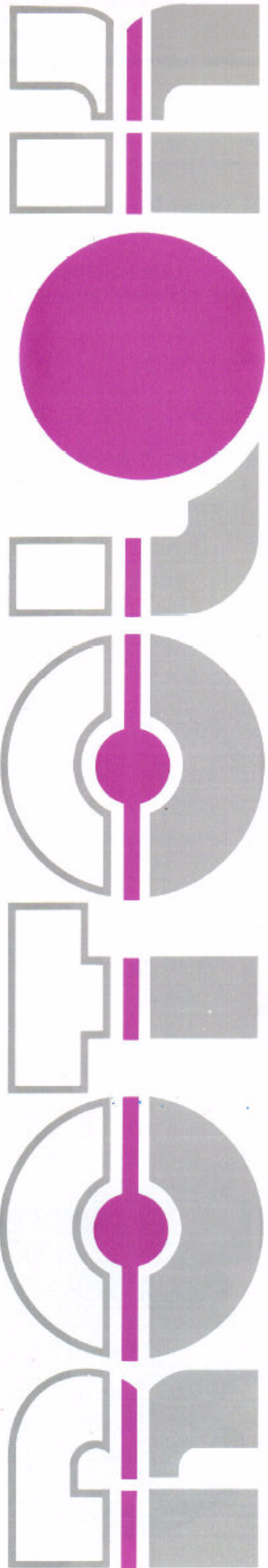
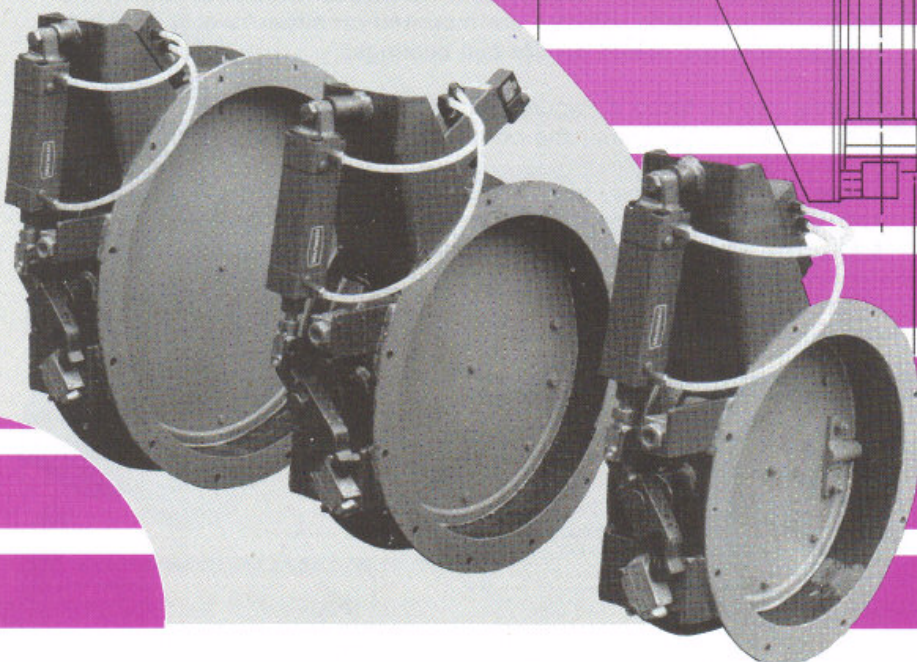
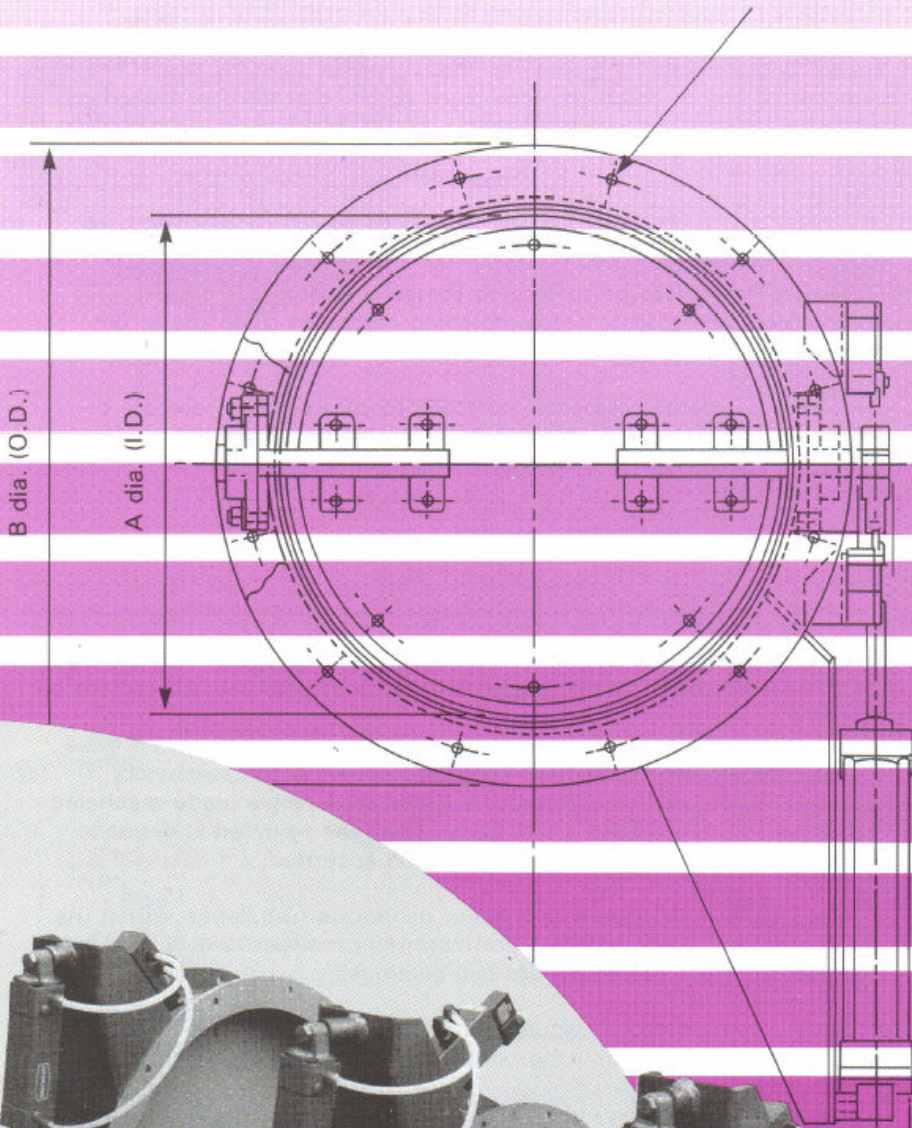


# BUTTERFLY DAMPERS

## FABRICATED RANGE

G holes H dia.  
equispaced on K P.C.D.



*everything under control...*

---

# • BUTTERFLY DAMPERS •

---

## *The Company*

---

Since its formation in 1973 Rotolok, by its continuing policy of re-investment through profit regeneration, has quickly established itself as a market leader in many of its range of products.

Initially formed to manufacture Rotary Airlocks, Rotolok has broadened its base in complementary areas of powder and bulk solids handling technology, so much so that it is now a highly respected supplier of a wide range of equipment to markets both in the UK and overseas.

## *Introduction*

---

The fabricated range of Rotolok Butterfly Dampers are used extensively in the air and dust handling industries generally in fan systems.

They are normally operated remotely by air cylinders, electric or pneumatic actuators although manual versions through the customary hand lever, handwheel and reduction gearboxes can also be accommodated.

## *Specification*

---

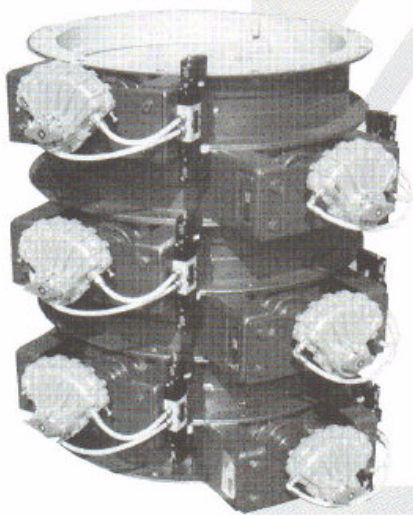
Construction is generally from Mild or Stainless Steel with the body of the valve formed from rolled steel angles or channels dependent on the size.

The damper itself is formed from two plates which sandwich, if required, a felt seal or alternatively it can be a single blade machined for closed fitment to the valve body. The type selected is dependent on the amount of air leakage that can be accepted.

The split spindle mounting system minimizes turbulence within the air stream and these spindles are mounted on either two or four bolt flanged mounted sealed for life ball bearings.

Seals can be fitted if required through a simple 'O' ring or, on high temperature applications, the conventional stuffing box is utilised.

The type of actuator, to suit the clients requirements or specification, can be added, and on pneumatic versions, limit switches and single solenoid spring return valves are standard inclusions.

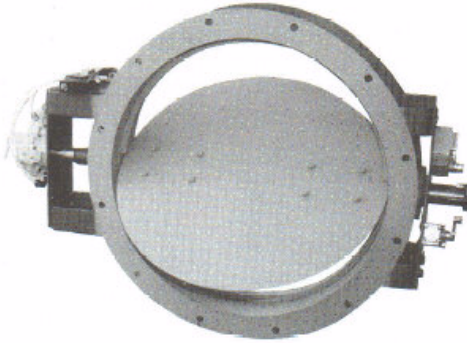


# • BUTTERFLY DAMPERS •

## Range

With fabrication, practically any size can be accommodated to suit the duct size with flanges also made to suit designers needs.

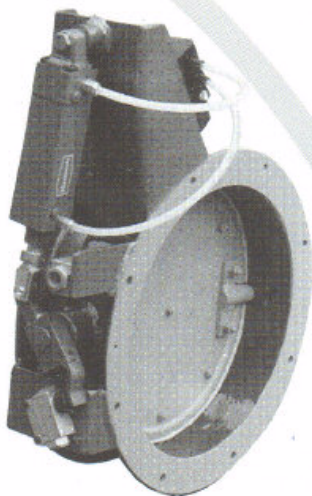
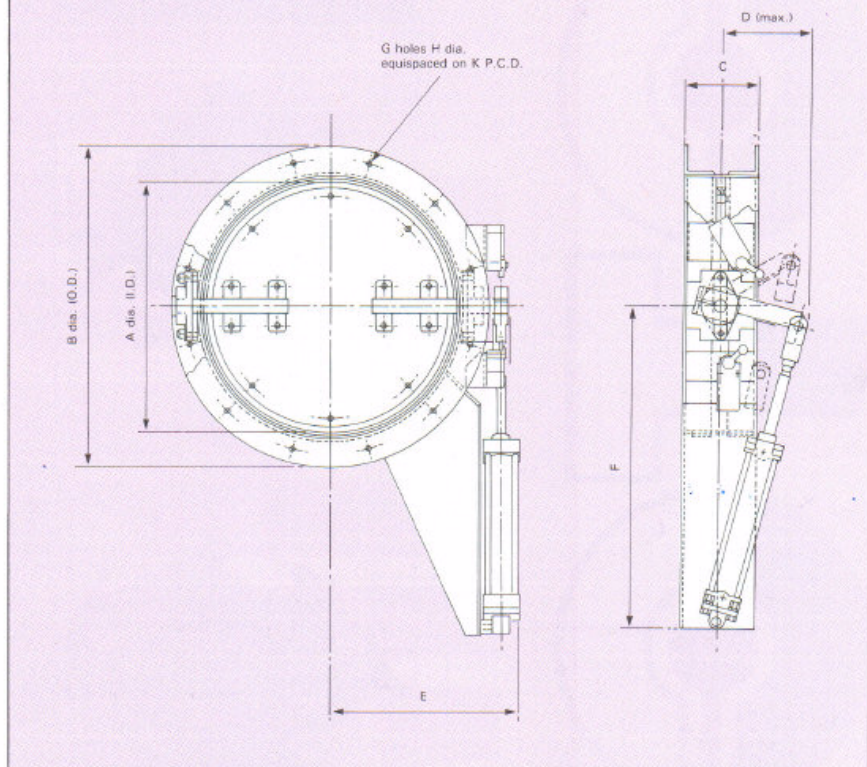
The range starts at 350mm dia and extends to 1500mm dia. Standard sizes are as shown in the chart below. Square units can also be designed.



## Important Note

On valve size selection it is important to ensure that the ducting size is equal to or slightly larger than the valve. This is to prevent any possible interference during the damper operation in the area where the blade enters the ducting, or should there be any misalignment between the components on assembly.

PLANNING IN DETAILS  
FOR GENERAL GUIDANCE ONLY



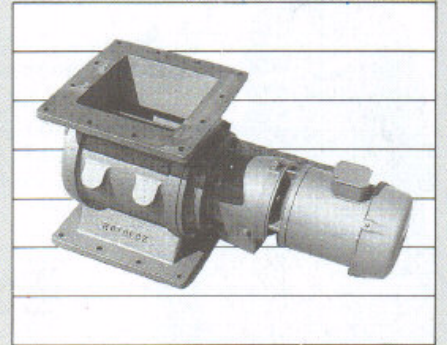
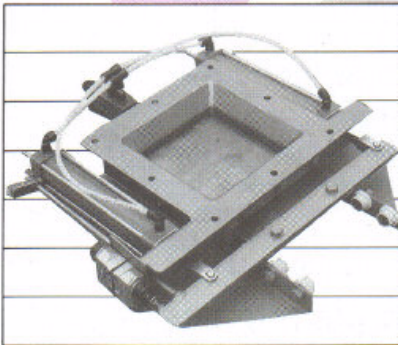
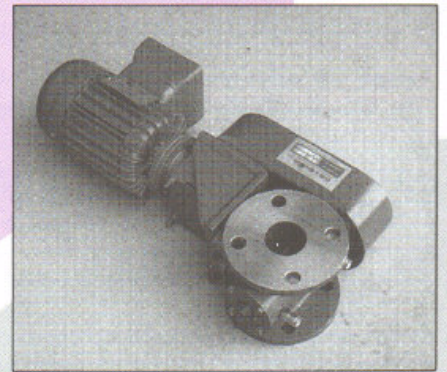
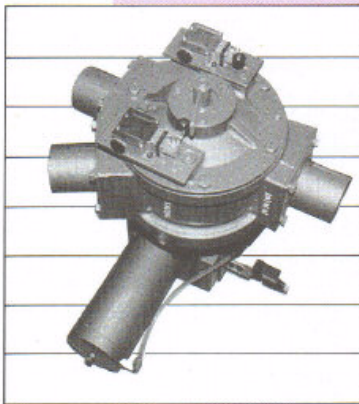
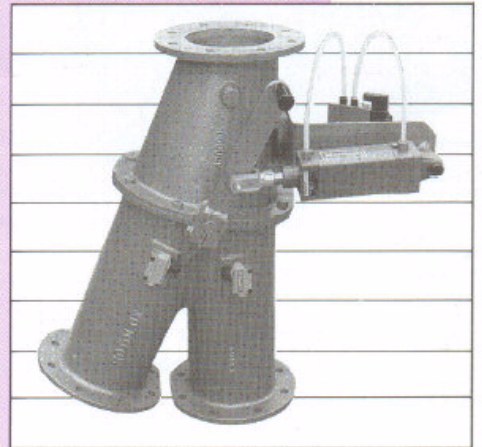
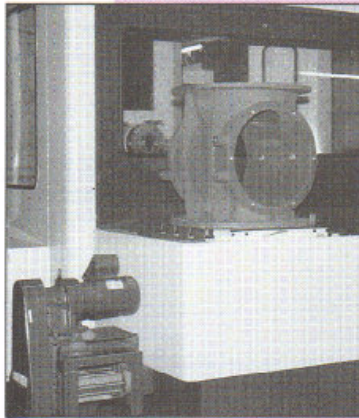
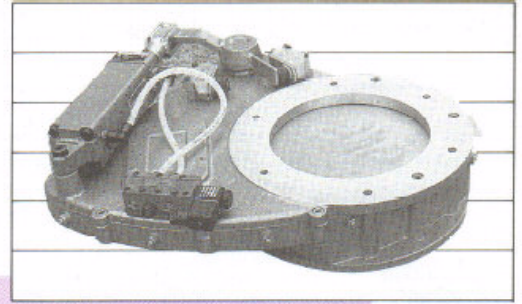
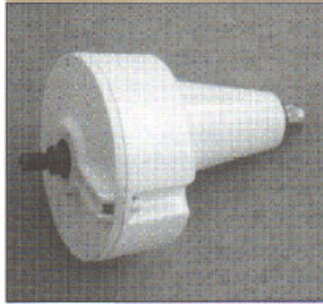
STD range intermediate and special sizes can be accommodated.

VALVE SIZE	A	B	C	D	E	F	G	H	K
350	350	440	130	160	285	580	8	10	406
400	400	490	130	160	310	580	12	10	456
450	450	540	130	160	330	580	12	10	506
500	500	590	130	160	430	580	12	12	556
600	600	710	150	160	450	580	16	12	666
700	700	810	150	160	470	580	16	12	766

All dimensions in mm

## • OTHER ROTOLOK PRODUCTS •

- *Rotary Airlocks*
- *Conveying Diverters*
- *Blowing Seals*
- *Double Dumps*
- *Fabricated Slides*
- *Slimslides*
- *Rotoslides*
- *Rotoflex Valves*
- *Weigh Valves*
- *Screw Conveyors*
- *Bucket Elevators*
- *Rotospeed Switch*
- *Pipe Couplings*



Rotolok Ltd., Bampton Industrial Estate  
Bampton, Nr. Tiverton, Devon. EX16 9NG.  
Tel: Bampton (0398) 331606/7  
Fax: (0398) 331032

**ROTOLOK**  
*everything under control...*